

Drop Connectors & Accessories

Snap-N-Seal® "F" Series Male Environmentally Sealed Connectors

Snap-N-Seal® "F" Male, Environmentally Sealed Connectors For RG59 And RG6 Cables

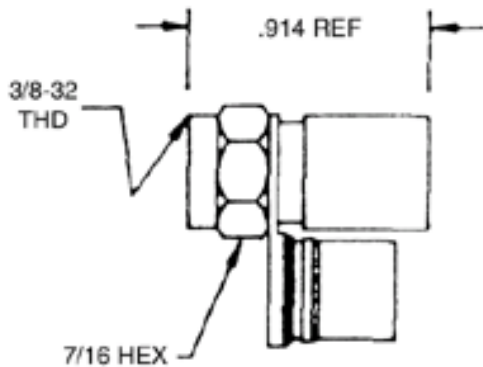


FIG. C

Dimension Information In F.P.S (U.S)

Catalog No	Fig.	Post I.D. (In.)	Sleeve I.D. (In.)	Color
SNS6	C	0.191	0.290	Blue

Table Continued Below...

Catalog No	Return Loss	Insertion Loss	Rfi	Description
SNS6	-30dB	-.2dB	-95dB	'F' Connector for Series 6 cable

Tools Used

SNS6

Tool Catalog#

CST596
CST596711
IT1000
SNSUTL

Packaging Information

Catalog#	Unit Quantity	Standard Quantity Package	Weight (lbs.)	Weight UOM
SNS6	50	1000	1.960	Per 100

All materials are subject to change without notice. Copyright © 2000 Thomas and Betts Corporation. All rights reserved.